



GreenSpace G6

DN391B LED14/830 PSD D100 AL GCG2HE

GreenSpace G6, 12 W, 1300 lm, 3000 K, DALI, Facetted reflector, Matte, IP20 | Finger-protected

Philips GreenSpace G6 builds on the GreenSpace family's reputation for superb performance, extremely low energy use, and high visual comfort. This next generation of reliable LED downlights comes in a highly-compact design with a deep, recessed architecture and increased reflector depth to highlight the smallest of details. GreenSpace G6 is also a shining example of versatility. This energy-saving LED downlight is available in a comprehensive range of configurations from 600 to 3,550 lumen, with the option to choose fixed, dimmable, or Interact Ready variants. This makes GreenSpace G6 the perfect 'mix and match' solution for potentially broad and extended applications that require different lighting ambiances, with one cohesive luminaire look and feel.

Product data

| General Information | | Operating and Electrical | |
|------------------------------------|--------------------|--------------------------|----------------------------|
| Number of gear units | - | Light source color | 830 warm white |
| Gear | - | Optic type | Facetted reflector |
| Driver included | No | Optical cover type | Polycarbonate Diffuser |
| Light source engine type | LED | Unified glare rating CEN | Not applicable |
| Light Technical | | Input Voltage | 220 to 240 V |
| Luminous Flux | 1,300 lm | Line Frequency | 50 or 60 Hz |
| Luminous Efficacy (rated) (Nom) | 111 lm/W | Inrush current | 16.5 A |
| Correlated Color Temperature (Nom) | 3000 K | Inrush time | 177 ms |
| Color rendering index (CRI) | ≥80 | Power Consumption | 12 W |
| Number of light sources | 28 | Power Factor (Fraction) | 0.9 |
| Beam angle of light source | 10 or 40 degree(s) | Connection | 2 Push-in connector 2-pole |

GreenSpace G6

| | |
|--|----------------------------------|
| Cable | - |
| Number of products on MCB of 16 A type B | 36 |
| Temperature | |
| Ambient temperature range | -20 to +40 °C |
| Controls and Dimming | |
| Dimmable | DALI |
| Control interface | DALI |
| Mechanical and Housing | |
| Housing Material | Aluminum die-cast |
| Reflector material | Polycarbonate |
| Optic material | Polycarbonate |
| Optical cover material | Polycarbonate |
| Housing Color | Aluminum and RAL (to be defined) |
| Mounting device | Frame for recessed mounting |
| Optical cover finish | Matte |
| Overall height | 68 mm |
| Overall diameter | 120 mm |
| Approval and Application | |
| Ingress protection code | IP20 [Finger-protected] |
| Mech. impact protection code | IK03 [0.3 J] |
| Protection class IEC | Safety class II |
| Glow-wire test | Temperature 650 °C, duration 5 s |
| Flammability mark | - |

| | |
|----------------------|--|
| CE mark | CE mark |
| ENEC mark | - |
| Warranty period | 3 years |
| Photobiological risk | Photobiological risk group 1 @200mm to EN62778 |
| EU RoHS compliant | Yes |

Initial Performance (IEC Compliant)

| | |
|-----------------------------|-------------|
| Luminous flux tolerance | -10% / +10% |
| Initial chromaticity | 5 |
| Power consumption tolerance | +/-10% |

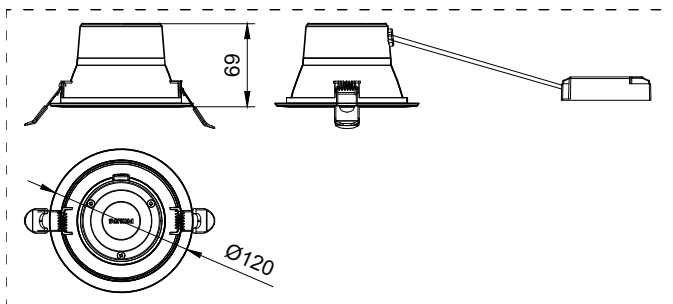
Application Conditions

| | |
|------------------------------------|-------|
| Performance ambient temperature Tq | 25 °C |
| Maximum dim level | 1% |
| Suitable for random switching | No |

Product Data

| | |
|---------------------------------|-------------------------------------|
| Order product name | DN391B LED14/830 PSD D100 AL GCG2HE |
| Full product name | DN391B LED14/830 PSD D100 AL GCG2HE |
| Order code | 911401578744 |
| Material Nr. (12NC) | 911401578744 |
| Numerator - Quantity Per Pack | 1 |
| Net Weight (Piece) | 0.440 kg |
| Numerator - Packs per outer box | 1 |

Dimensional drawing



GreenSpace G6

