



GreenSpace G6

DN392B LED18/865 PSU D200 AL GCG2HE

GreenSpace G6, 14.4 W, 1850 lm, 6500 K, Facetted reflector, Matte, IP20 | Finger-protected

Philips GreenSpace G6 builds on the GreenSpace family's reputation for superb performance, extremely low energy use, and high visual comfort. This next generation of reliable LED downlights comes in a highly-compact design with a deep, recessed architecture and increased reflector depth to highlight the smallest of details. GreenSpace G6 is also a shining example of versatility. This energy-saving LED downlight is available in a comprehensive range of configurations from 600 to 3,550 lumen, with the option to choose fixed, dimmable, or Interact Ready variants. This makes GreenSpace G6 the perfect 'mix and match' solution for potentially broad and extended applications that require different lighting ambiances, with one cohesive luminaire look and feel.

Product data

| General Information | | Optic type | |
|------------------------------------|-------------------|--------------------------|--|
| Number of gear units | - | Optical cover type | Facetted reflector |
| Gear | - | Unified glare rating CEN | Polycarbonate Diffuser |
| Driver included | Yes | | 16 |
| Light source engine type | LED | Operating and Electrical | |
| Light Technical | | Input Voltage | 220 to 240 V |
| Luminous Flux | 1,850 lm | Line Frequency | 50 or 60 Hz |
| Luminous Efficacy (rated) (Nom) | 132 lm/W | Inrush current | 10 A |
| Correlated Color Temperature (Nom) | 6500 K | Inrush time | 0.02 ms |
| Color rendering index (CRI) | >80 | Power Consumption | 14.4 W |
| Number of light sources | 1 | Power Factor (Fraction) | 0.9 |
| Light source color | 865 cool daylight | Connection | Flying leads/wires |
| | | Cable | 2×0.75mm ² Cable 0.2 m without plug |

GreenSpace G6

| | |
|--|----------------------------------|
| Number of products on MCB of 16 A type B 170 | |
| Temperature | |
| Ambient temperature range | -20 to +40 °C |
| Controls and Dimming | |
| Dimmable | No |
| Control interface | - |
| Mechanical and Housing | |
| Housing Material | Aluminum die-cast |
| Reflector material | Polycarbonate |
| Optic material | Polycarbonate |
| Optical cover material | Polycarbonate |
| Housing Color | Aluminum |
| Mounting device | Frame for recessed mounting |
| Optical cover finish | Matte |
| Overall height | 107 mm |
| Overall diameter | 216 mm |
| Approval and Application | |
| Ingress protection code | IP20 [Finger-protected] |
| Mech. impact protection code | IK03 [0.3 J] |
| Protection class IEC | Safety class II |
| Glow-wire test | Temperature 650 °C, duration 5 s |
| Flammability mark | - |
| CE mark | CE mark |

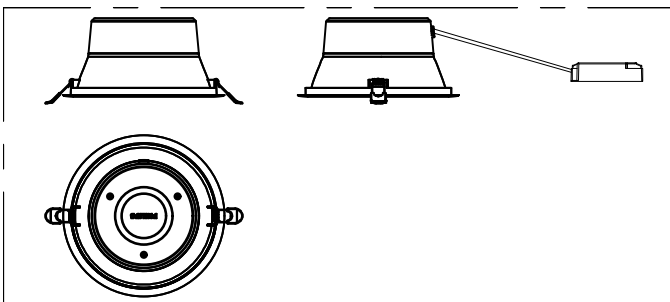
| | |
|----------------------|--|
| ENEC mark | - |
| Warranty period | 3 years |
| Photobiological risk | Photobiological risk group 1 @200mm to EN62778 |
| EU RoHS compliant | Yes |

| | |
|--|--------|
| Initial Performance (IEC Compliant) | |
| Luminous flux tolerance | +/-10% |
| Initial chromaticity | 5 |
| Power consumption tolerance | +/-10% |

| | |
|------------------------------------|----------------|
| Application Conditions | |
| Performance ambient temperature Tq | 25 °C |
| Maximum dim level | Not applicable |
| Suitable for random switching | No |

| | |
|---------------------------------|-------------------------------------|
| Product Data | |
| Order product name | DN392B LED18/865 PSU D200 AL GCG2HE |
| Full product name | DN392B LED18/865 PSU D200 AL GCG2HE |
| Order code | 911401530344 |
| Material Nr. (12NC) | 911401530344 |
| Numerator - Quantity Per Pack | 1 |
| Net Weight (Piece) | 0.440 kg |
| Numerator - Packs per outer box | 4 |

Dimensional drawing



GreenSpace G6

