



# GreenSpace G6

## DN392B LED20/865 PSU D200 WH GCG2HE

GreenSpace G6, 14.4 W, 2000 lm, 6500 K, White reflector and opal cover, Matte, IP20 | Finger-protected

Philips GreenSpace G6 builds on the GreenSpace family's reputation for superb performance, extremely low energy use, and high visual comfort. This next generation of reliable LED downlights comes in a highly-compact design with a deep, recessed architecture and increased reflector depth to highlight the smallest of details. GreenSpace G6 is also a shining example of versatility. This energy-saving LED downlight is available in a comprehensive range of configurations from 600 to 3,550 lumen, with the option to choose fixed, dimmable, or Interact Ready variants. This makes GreenSpace G6 the perfect 'mix and match' solution for potentially broad and extended applications that require different lighting ambiances, with one cohesive luminaire look and feel.

### Product data

General Information	
Number of gear units	-
Gear	-
Driver included	Yes
Light source engine type	LED
Light Technical	
Luminous Flux	2,000 lm
Luminous Efficacy (rated) (Nom)	140 lm/W
Correlated Color Temperature (Nom)	6500 K
Color rendering index (CRI)	>80
Number of light sources	1
Light source color	865 cool daylight

Optic type	White reflector and opal cover
Optical cover type	Polycarbonate Diffuser
Unified glare rating CEN	24
Operating and Electrical	
Input Voltage	220 to 240 V
Line Frequency	50 or 60 Hz
Inrush current	10 A
Inrush time	0.02 ms
Power Consumption	14.4 W
Power Factor (Fraction)	0.9
Connection	Flying leads/wires
Cable	2×0.75mm <sup>2</sup> Cable 0.2 m without plug

# GreenSpace G6

Number of products on MCB of 16 A type B 170	
<b>Temperature</b>	
Ambient temperature range	-20 to +40 °C
<b>Controls and Dimming</b>	
Dimmable	No
Control interface	-
<b>Mechanical and Housing</b>	
Housing Material	Aluminum die-cast
Reflector material	Polycarbonate
Optic material	Polycarbonate
Optical cover material	Polycarbonate
Housing Color	Aluminum
Mounting device	Frame for recessed mounting
Optical cover finish	Matte
Overall height	107 mm
Overall diameter	216 mm
<b>Approval and Application</b>	
Ingress protection code	IP20 [Finger-protected]
Mech. impact protection code	IK03 [0.3 J]
Protection class IEC	Safety class II
Glow-wire test	Temperature 650 °C, duration 5 s
Flammability mark	-
CE mark	CE mark
ENEC mark	-

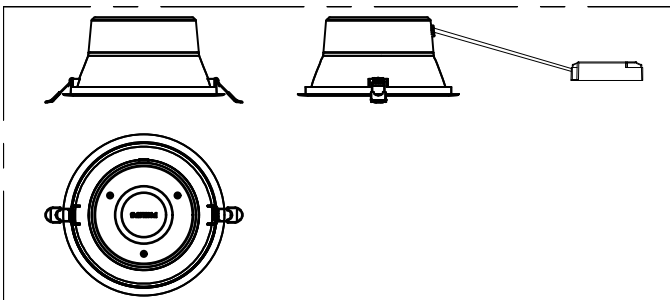
Warranty period	3 years
Photobiological risk	Photobiological risk group 1 @200mm to EN62778
EU RoHS compliant	Yes

<b>Initial Performance (IEC Compliant)</b>	
Luminous flux tolerance	+/-10%
Initial chromaticity	5
Power consumption tolerance	+/-10%

<b>Application Conditions</b>	
Performance ambient temperature Tq	25 °C
Maximum dim level	Not applicable
Suitable for random switching	No

<b>Product Data</b>	
Order product name	DN392B LED20/865 PSU D200 WH GCG2HE
Full product name	DN392B LED20/865 PSU D200 WH GCG2HE
Order code	911401530644
Material Nr. (12NC)	911401530644
Numerator - Quantity Per Pack	1
Net Weight (Piece)	0.440 kg
Numerator - Packs per outer box	4

## Dimensional drawing



## GreenSpace G6

