



# GreenSpace G6

## DN392B LED23/830 P17PSD D150 WH GMG2HE

GreenSpace G6, 17.3 W, 2100 lm, 3000 K, DALI, White reflector and opal cover, Matte, IP20 | Finger-protected

Philips GreenSpace G6 builds on the GreenSpace family's reputation for superb performance, extremely low energy use, and high visual comfort. This next generation of reliable LED downlights comes in a highly-compact design with a deep, recessed architecture and increased reflector depth to highlight the smallest of details. GreenSpace G6 is also a shining example of versatility. This energy-saving LED downlight is available in a comprehensive range of configurations from 600 to 3,550 lumen, with the option to choose fixed, dimmable, or Interact Ready variants. This makes GreenSpace G6 the perfect 'mix and match' solution for potentially broad and extended applications that require different lighting ambiances, with one cohesive luminaire look and feel.

### Product data

General Information	
Number of gear units	-
Gear	-
Driver included	No
Light source engine type	LED
Light Technical	
Luminous Flux	2,100 lm
Luminous Efficacy (rated) (Nom)	125 lm/W
Correlated Color Temperature (Nom)	3000 K
Color rendering index (CRI)	≥80
Number of light sources	48
Beam angle of light source	10 or 40 degree(s)

Light source color	830 warm white
Optic type	White reflector and opal cover
Optical cover type	Polycarbonate Diffuser
Unified glare rating CEN	Not applicable
Operating and Electrical	
Input Voltage	220 to 240 V
Line Frequency	50 or 60 Hz
Inrush current	16.5 A
Inrush time	177 ms
Power Consumption	17.3 W
Power Factor (Fraction)	0.9
Connection	2 Push-in connector 2-pole

# GreenSpace G6

Cable	-
Number of products on MCB of 16 A type B	36

## Temperature

Ambient temperature range	-20 to +40 °C
---------------------------	---------------

## Controls and Dimming

Dimmable	DALI
Control interface	DALI

## Mechanical and Housing

Housing Material	Aluminum die-cast
Reflector material	Polycarbonate
Optic material	Polycarbonate
Optical cover material	Polycarbonate
Housing Color	Aluminum and RAL (to be defined)
Mounting device	Frame for recessed mounting
Optical cover finish	Matte
Overall height	80 mm
Overall diameter	162 mm

## Approval and Application

Ingress protection code	IP20 [Finger-protected]
Mech. impact protection code	IK03 [0.3 J]
Protection class IEC	Safety class II
Glow-wire test	Temperature 650 °C, duration 5 s
Flammability mark	-

CE mark	CE mark
ENEC mark	-
Warranty period	3 years
EU RoHS compliant	Yes

## Initial Performance (IEC Compliant)

Luminous flux tolerance	-10% / +10%
Initial chromaticity	5
Power consumption tolerance	+/-10%

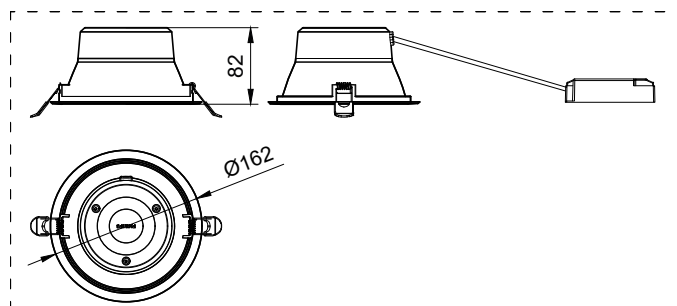
## Application Conditions

Performance ambient temperature Tq	25 °C
Maximum dim level	1%
Suitable for random switching	No

## Product Data

Order product name	DN392B LED23/830 P17PSD D150 WH GMG2HE
Full product name	DN392B LED23/830 P17PSD D150 WH GMG2HE
Order code	911401574244
Material Nr. (12NC)	911401574244
Numerator - Quantity Per Pack	1
Net Weight (Piece)	0.490 kg
Numerator - Packs per outer box	1

## Dimensional drawing



## GreenSpace G6

