



GreenSpace G6

DN392X LED20/830 P15WIA D150 WH G2HE

GreenSpace G6, 15 W, 1850 lm, 3000 K, InterAct Pro, White reflector and opal cover, Matte, IP20 | Finger-protected

Philips GreenSpace G6 builds on the GreenSpace family's reputation for superb performance, extremely low energy use, and high visual comfort. This next generation of reliable LED downlights comes in a highly-compact design with a deep, recessed architecture and increased reflector depth to highlight the smallest of details. GreenSpace G6 is also a shining example of versatility. This energy-saving LED downlight is available in a comprehensive range of configurations from 600 to 3,550 lumen, with the option to choose fixed, dimmable, or Interact Ready variants. This makes GreenSpace G6 the perfect 'mix and match' solution for potentially broad and extended applications that require different lighting ambiances, with one cohesive luminaire look and feel.

Product data

General Information		Optic type	
Number of gear units	-	Optical cover type	White reflector and opal cover
Gear	-	Unified glare rating CEN	26
Driver included	Yes	Operating and Electrical	
Light source engine type	LED	Input Voltage	220 to 240 V
Light Technical		Line Frequency	50 or 60 Hz
Luminous Flux	1,850 lm	Inrush current	5.5 A
Luminous Efficacy (rated) (Nom)	125 lm/W	Inrush time	0.055 ms
Correlated Color Temperature (Nom)	3000 K	Power Consumption	15 W
Color rendering index (CRI)	>80	Power Factor (Fraction)	0.9
Number of light sources	1	Connection	2 Push-in connector 2-pole
Light source color	830 warm white	Cable	-

GreenSpace G6

Number of products on MCB of 16 A type B 54	
Temperature	
Ambient temperature range	-20 to +40 °C
Controls and Dimming	
Dimmable	DALI
Control interface	InterAct Pro
Mechanical and Housing	
Housing Material	Aluminum die-cast
Reflector material	Polycarbonate
Optic material	Polycarbonate
Optical cover material	Polycarbonate
Housing Color	Aluminum
Mounting device	Frame for recessed mounting
Optical cover finish	Matte
Overall height	80 mm
Overall diameter	162 mm
Approval and Application	
Ingress protection code	IP20 [Finger-protected]
Mech. impact protection code	IK03 [0.3 J]
Protection class IEC	Safety class II
Glow-wire test	Temperature 650 °C, duration 5 s
Flammability mark	-
CE mark	CE mark
ENEC mark	-

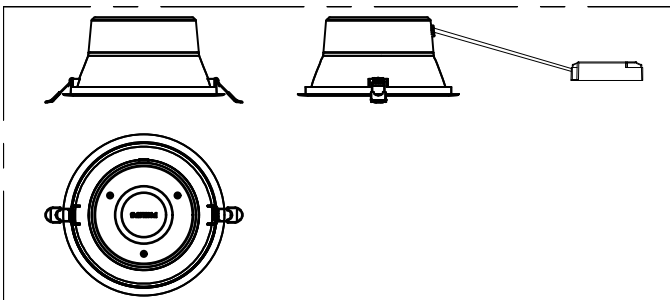
Warranty period	3 years
Photobiological risk	Photobiological risk group 1 @200mm to EN62778
EU RoHS compliant	Yes

Initial Performance (IEC Compliant)	
Luminous flux tolerance	+/-10%
Initial chromaticity	5
Power consumption tolerance	+/-10%

Application Conditions	
Performance ambient temperature Tq	25 °C
Maximum dim level	1%
Suitable for random switching	No

Product Data	
Order product name	DN392X LED20/830 P15WIA D150 WH G2HE
Full product name	DN392X LED20/830 P15WIA D150 WH G2HE
Order code	911401537944
Material Nr. (12NC)	911401537944
Numerator - Quantity Per Pack	1
Net Weight (Piece)	0.290 kg
Numerator - Packs per outer box	1

Dimensional drawing



GreenSpace G6

