



GreenSpace G6

DN394B LED38/830 P29PSD D200 ALWP GMG2HE

GreenSpace G6, 29.3 W, 3800 lm, 3000 K, DALI, Facetted reflector, Matte, IP54/20 | Dust accumulation protected, splash-proof/finger protected

Philips GreenSpace G6 builds on the GreenSpace family's reputation for superb performance, extremely low energy use, and high visual comfort. This next generation of reliable LED downlights comes in a highly-compact design with a deep, recessed architecture and increased reflector depth to highlight the smallest of details. GreenSpace G6 is also a shining example of versatility. This energy-saving LED downlight is available in a comprehensive range of configurations from 600 to 3,550 lumen, with the option to choose fixed, dimmable, or Interact Ready variants. This makes GreenSpace G6 the perfect 'mix and match' solution for potentially broad and extended applications that require different lighting ambiances, with one cohesive luminaire look and feel.

Product data

| General Information | | Number of light sources | |
|------------------------------------|----------|----------------------------|------------------------|
| Number of gear units | - | Number of light sources | 78 |
| Gear | - | Beam angle of light source | 10 or 40 degree(s) |
| Driver included | No | Light source color | 830 warm white |
| Light source engine type | LED | Optic type | Facetted reflector |
| Light Technical | | Optical cover type | Polycarbonate Diffuser |
| Luminous Flux | 3,800 lm | Unified glare rating CEN | Not applicable |
| Luminous Efficacy (rated) (Nom) | 120 lm/W | Operating and Electrical | |
| Correlated Color Temperature (Nom) | 3000 K | Input Voltage | 220 to 240 V |
| Color rendering index (CRI) | ≥80 | Line Frequency | 50 or 60 Hz |
| | | Inrush current | 16.5 A |

GreenSpace G6

| | |
|--|----------------------------|
| Inrush time | 177 ms |
| Power Consumption | 29.3 W |
| Power Factor (Fraction) | 0.9 |
| Connection | 2 Push-in connector 2-pole |
| Cable | - |
| Number of products on MCB of 16 A type B | 36 |

Temperature

| | |
|---------------------------|---------------|
| Ambient temperature range | -20 to +40 °C |
|---------------------------|---------------|

Controls and Dimming

| | |
|-------------------|------|
| Dimmable | DALI |
| Control interface | DALI |

Mechanical and Housing

| | |
|------------------------|----------------------------------|
| Housing Material | Aluminum die-cast |
| Reflector material | Polycarbonate |
| Optic material | Polycarbonate |
| Optical cover material | Polycarbonate |
| Housing Color | Aluminum and RAL (to be defined) |
| Mounting device | Frame for recessed mounting |
| Optical cover finish | Matte |
| Overall height | 107 mm |
| Overall diameter | 216 mm |

Approval and Application

| | |
|------------------------------|--|
| Ingress protection code | IP54/20 [Dust accumulation protected, splash-proof/finger protected] |
| Mech. impact protection code | IK03 [0.3 J] |
| Protection class IEC | Safety class II |
| Glow-wire test | Temperature 650 °C, duration 5 s |

| | |
|----------------------|--|
| Flammability mark | - |
| CE mark | CE mark |
| ENEC mark | - |
| Warranty period | 3 years |
| Photobiological risk | Photobiological risk group 1 @200mm to EN62778 |
| EU RoHS compliant | Yes |

Initial Performance (IEC Compliant)

| | |
|-----------------------------|-------------|
| Luminous flux tolerance | -10% / +10% |
| Initial chromaticity | 5 |
| Power consumption tolerance | +/-10% |

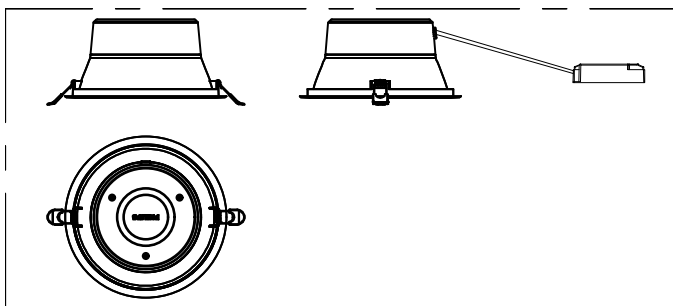
Application Conditions

| | |
|------------------------------------|-------|
| Performance ambient temperature Tq | 25 °C |
| Maximum dim level | 1% |
| Suitable for random switching | No |

Product Data

| | |
|---------------------------------|---|
| Order product name | DN394B LED38/830 P29PSD D200 ALWP GMG2HE |
| Full product name | DN394B LED38/830 P29PSD D200 ALWP GMG2HE |
| Order code | 911401567044 |
| Material Nr. (12NC) | 911401567044 |
| Numerator - Quantity Per Pack | 1 |
| Net Weight (Piece) | 0.590 kg |
| Numerator - Packs per outer box | 1 |

Dimensional drawing



GreenSpace G6

