

UniFlood M G2 Compact

UniFlood M G2 Compact is a compact rectangular shaped, cost effective and exterior-rated architectural LED floodlight that is designed for façade, landscape and outdoor flood lighting applications.

The robust mechanical design and high-efficient optical design make it ideal for illuminating multi-story exterior facades.

Available in white, monochromatic colors, RGB, RGBW and tunable white.

Ten different spread lenses ranging from narrow spot, to wide flood and DMX512 control option available to give architects and designers the freedom to explore a wide range of concepts and design with no limitations.



Key Features (BVP353 MICRO)

- Standard: RGBW, 3000K and 4000K
- Optional 2700K, 5000K, Monochromatic Colors
- Wide Range of Beam Angles from Narrow Spot to Wide Flood
- Robust Design & IP66 rating for outdoor use
- Adjustable $\pm 90^\circ$ tilting angle
- Available in DMX control interface option

Ordering guide

eg: BVP353 MICRO 1LED 30K 24V 10DMX 3W

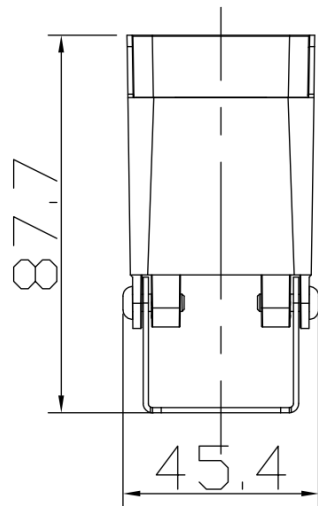
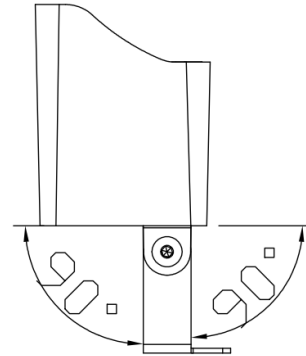
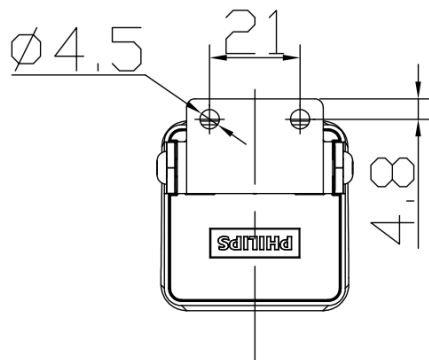
BVP353 MICRO		1LED	24V				
Family	# of LEDs	CCT / Color	Voltage	Beam Angles	Control Interface	Wattage	
BVP353 MICRO – UniFlood M G2 Compact	1LED	27K – 2700K 30K – 3000K 40K – 4000K 50K – 5000K BL – Blue RD – Red GN – Green AM – Amber RGBWW – RGBW(3000K) RGBNW – RGBW(4000K)	24V DC	5 – 4.5° 10 – 10° 15 – 15° 25 – 25° 30 – 30° 40 – 40° 45 – 45° 60 – 60°	– On/Off DMX – DMX	3W	

Product Data

Product Family	UniFlood M G2 Compact (BVP353 MICRO)	
Dimensions (L x W x H)	45.4mm x 42mm x 87.7mm (with bracket)	
Source	High power LED	
Lumen Maintenance	50,000 hrsL70B50 at 35°C for White 50,000 hrsL50B50 at 35°C for RGB	
Housing	die-cast aluminum	
Finishing	Electrostatically applied polyester powder coating	
Color	Dark Grey (RAL7012)	
Bracket	SUS304	
Adjustability	Tilting angle $\pm 90^\circ$	
Lenses	Anti-aging and anti-UV high optical efficiency PMMA lenses	
Cover	Clear tempered glass	
Control Interfaces	On/Off	DMX512
Input Voltage	24V DC	
IEC Classification	Class III	
Power Cable (On/Off)	2 pole flat cable L=30cm, 2x1.0mm ²	
Signal Cable (DMX)	5 pole flat cable L=30cm, 2x1.0mm ² +3x0.3mm ²	
Cables Connectors	IP67 Male/Female	
Max Weight	0.19kg	
Standard Number of LEDs	1LED	
Standard Optics	4.5°, 10°, 15°, 25°, 30°, 40°	
Max Power Consumption	3W	
Standard CCT/Colors	3000K, 4000K, RGB30K, RGB40K	
Standard CRI	80	
White SDCM	4	
Temperature Range	-40°C to 50°C (Operating) -35°C to 50°C (Startup) -40°C to 70°C (Storage)	
Protection Rating	IP66, IK06	
Certifications	CE, CB	
Warranty	3 Years	

(1) Inrush current and MCBs data are based on White, RGB and RGBW luminaires

Luminaire Dimensions:

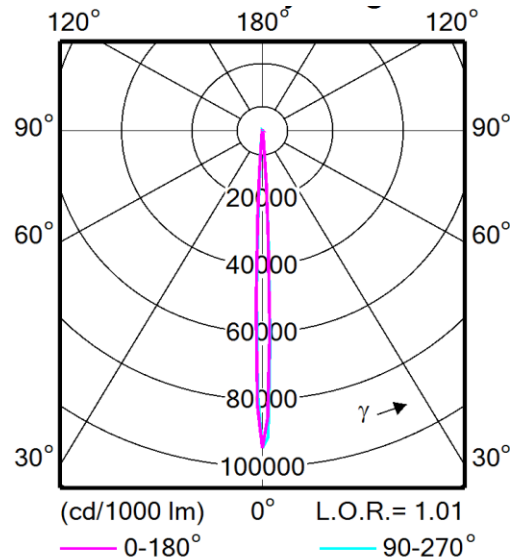


Polar Candela Distribution Curves:

4.5x4.5° Beam Angle

Features:

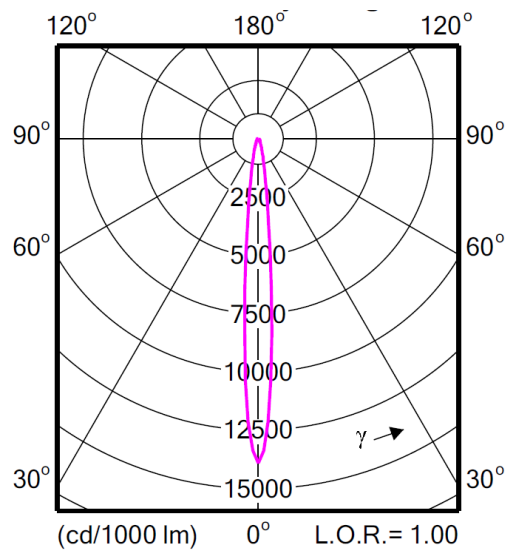
The 4.5x4.5° beam angle delivers a narrow beam with more lumens where you want them.



10x10° Beam Angle

Features:

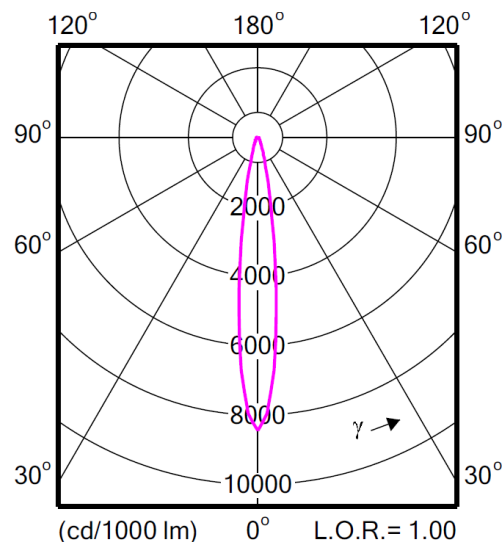
The 10x10° beam angle offers a narrow beam that can be used to highlight a small area in a building or making an ornament stands out.



15x15° Beam Angle

Features:

The 15x15° beam angle offers a medium beam distribution that can be used to highlight a small to medium area in a building or making an ornament stands out.

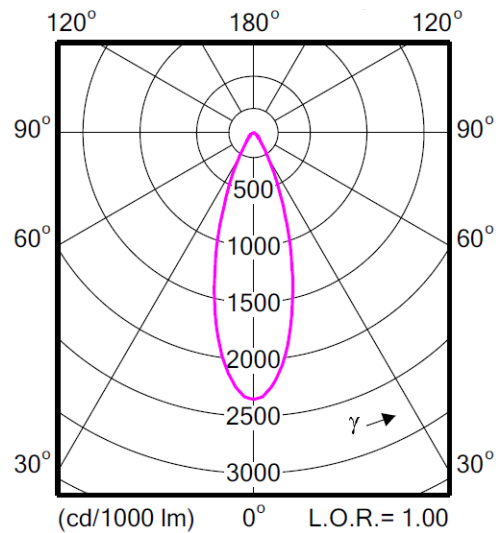


Polar Candela Distribution Curves:

30x30° Beam Angle

Features:

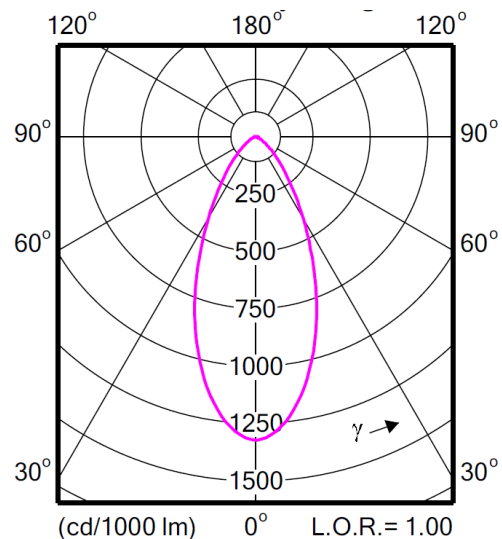
The 30x30° beam angle offers a wide beam that can be used for highlighting medium to large areas in a building or used for general façade lighting.



45x45° Beam Angle

Features:

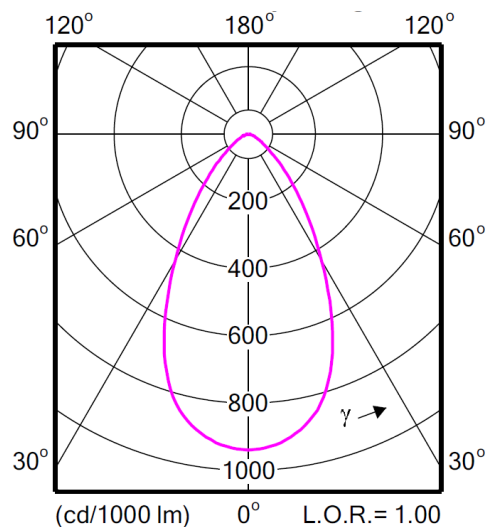
The 45x45° beam angle offers a wide beam that can be used for highlighting large and wide areas in a building or used for general façade lighting.



60x60° Beam Angle

Features:

The 60x60° beam angle offers a wide flood distribution that can be used to highlight larger and wider areas in a building or for general façade lighting.

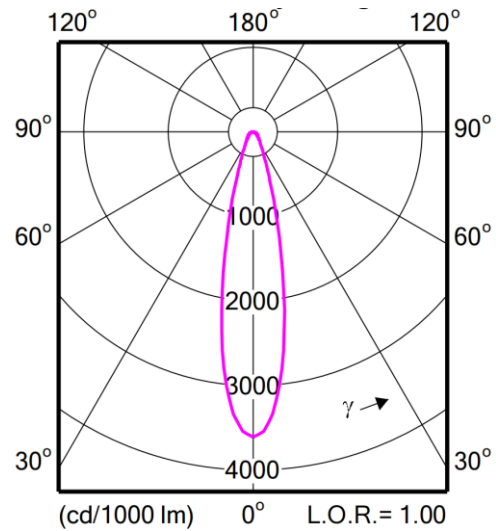


Polar Candela Distribution Curves:

25x25° Beam Angle

Features:

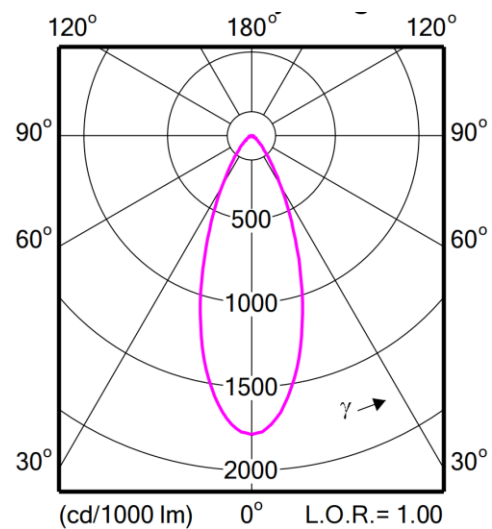
The 25x25° beam angle offers a wide beam that can be used for highlighting medium to large areas in a building or used for general façade lighting. (for RGBW 4in1 LED only)



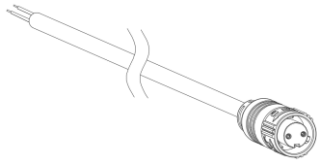
40x40° Beam Angle

Features:

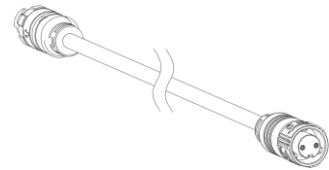
The 40x40° beam angle offers a wide beam that can be used for highlighting large and wide areas in a building or used for general façade lighting. (for RGBW 4in1 LED only)



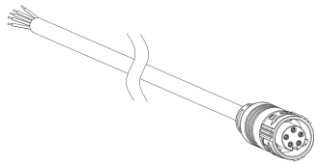
Accessories



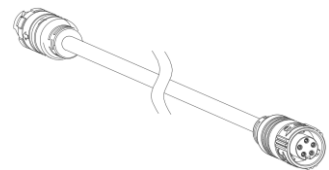
Leader cable 2P DC 2m



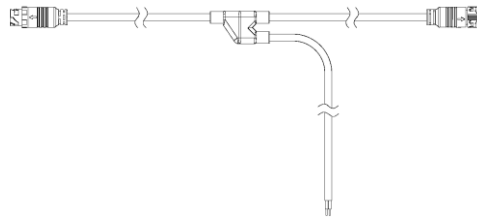
Jumper cable 2P DC 2m



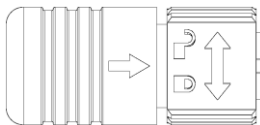
Leader cable 5P DC/DMX 2m



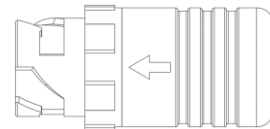
Jumper cable 5P DC/DMX 2m



Y-connector kit 5P DC/DMX



Endcap for male connectors



Endcap for female connectors

Rated System Lumen Output ($\pm 10\%$):

CCT/Color (All channels On)	4.5° DMX	10° DMX	15° DMX	25° DMX	30° DMX	40° DMX
3000K	75	130	135	-	140	-
4000K	100	145	150	-	155	-
RGB30K	-	-	40	45	-	45
RGB40K	-	-	40	45	-	45



© 2019 Signify Holding. All rights reserved. The information provided herein is subject to change, without notice. Signify does not give any representation or warranty as to the accuracy or completeness of the information included herein and shall not be liable for any action in reliance thereon. The information presented in this document is not intended as any commercial offer and does not form part of any quotation or contract, unless otherwise agreed by Signify. Philips and the Philips Shield Emblem are registered trademarks of Koninklijke Philips N.V. All other trademarks are owned by Signify Holding or their respective owners

www.lighting.philips.com