

UNI In-Ground G2

Uni In-ground family provide a completed range of up-lights in terms of wattage, beam angle, color temperature, etc. It is to make your space distinctive with more safety and convenience as well. Compact and robust design with stainless steel housing and top frame, all for ensuring long-lasting operation after installation.



Key Features

- Standard: 3000K and 4000K
- Optional: 2700K
- On-off (12V DC version)
- Robust Design & IP67 rating for outdoor use
- 50K hrs lifetime

Ordering guide

BBP210 G2 1W 12V 3000K 15D

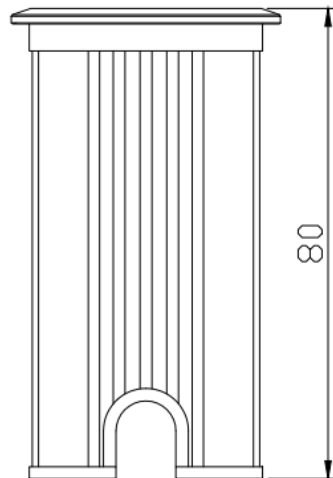
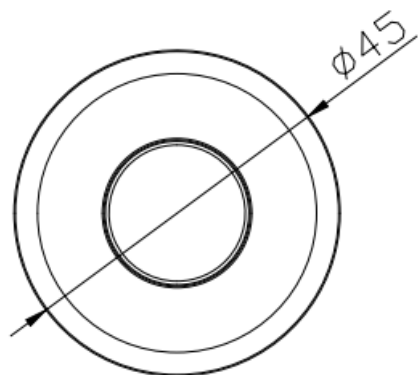
BBP210 G2	1W	12V	3000K	15D
Family	Wattage	Voltage	CCT / Color	Beam Angles
BBP210 G2 & BBP211 G2- Uni-In Ground	1W/2W	12V – 12V DC	27K – 2700K 30K – 3000K 40K – 4000K	15D – 15°x15° 36D – 36°x36°

Product Data

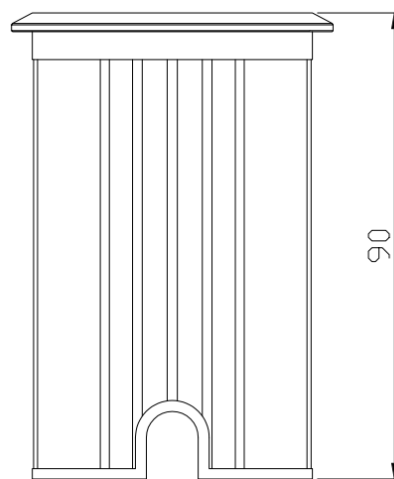
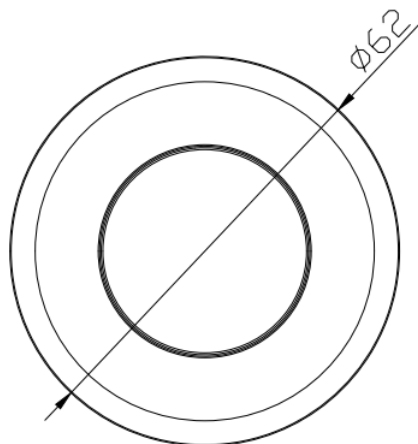
Product Family	BBP210 G2	BBP211 G2
Dimensions (W x H x D)	Ø45 x 80 mm (with Embedded device)	Ø62 x 90 mm (with Embedded device)
Source	High power LED	
Lumen Maintenance	50,000 hrs L70B50 at 35°C	
Housing & housing color	Stainless steel housing + top frame	
Lenses	Anti-aging and anti-UV high optical efficiency PC lenses	
Gasket	Silicon	
Cover	Clear tempered glass	
Max Weight	0.25 kg	0.38 kg
Control Interfaces	On/Off	
Input Voltage	DC 12V	
Inrush Current	Max 0.083A (cold start 12VDC at full load)	Max 0.166A (cold start 12VDC at full load)
IEC Classification	Class III	
Power Cable	2 pole round cable L=100cm, 2x0.75mm ² with single flying wires	
Max Number of LEDs	1LED	
Beam Angles	15°, 36°	
Max Power Consumption	1W	2W
Standard WH CCT	3000K, 4000K	
Standard CRI	80	
White SDCM	≤5	
Temperature Range	-40°C to 50°C (Operating) -35°C to 50°C (Startup) -40°C to 70°C (Storage)	
Protection Rating	IP67, IK10	
Certifications	CE, CB, CQC	
Warranty	3 Years	
ETO options	Beam angle: , 60°, 90° White CCT& colors: 2700K	

Luminaire Dimensions:

BBP210 G2 **(with embedded device)**

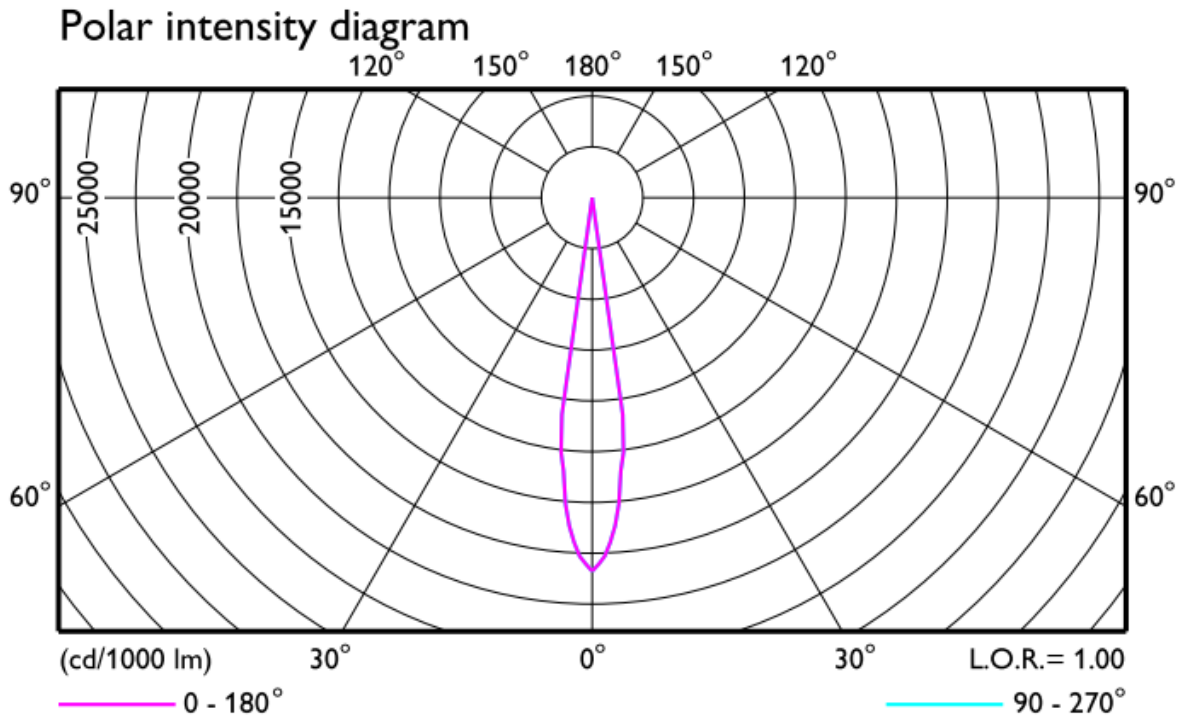


BBP211 G2 **(with embedded device)**

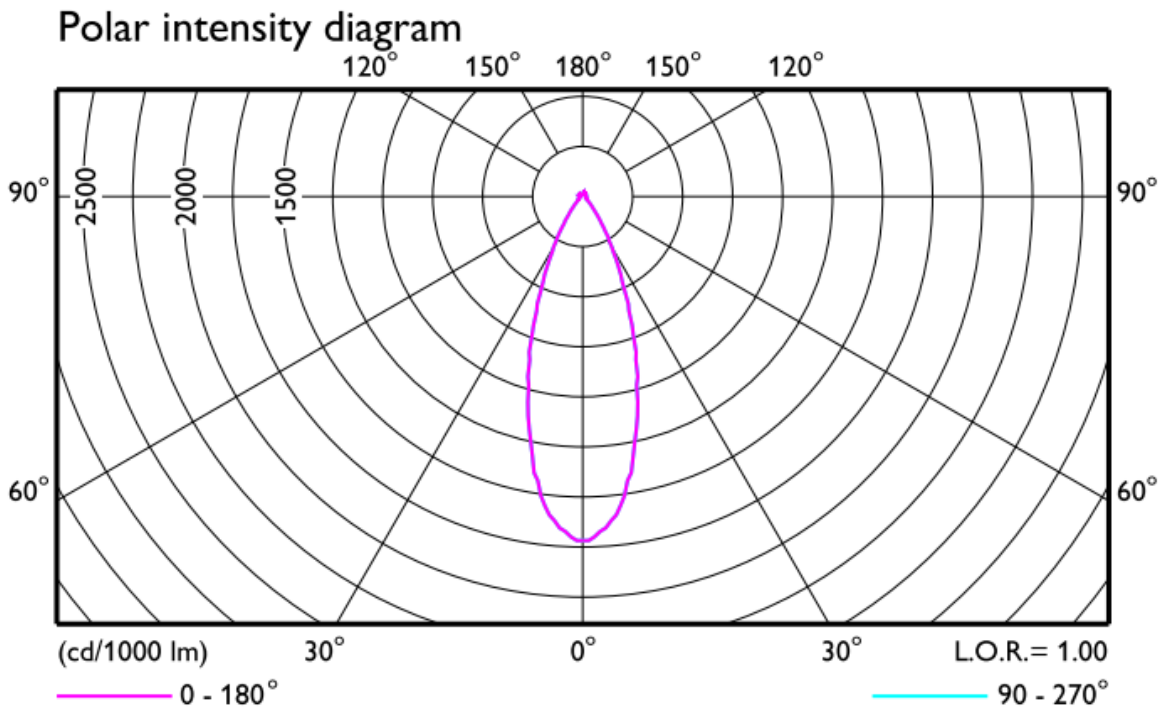


Polar Candela Distribution Curves:

BBP210 G2 - 15x15° Beam Angle



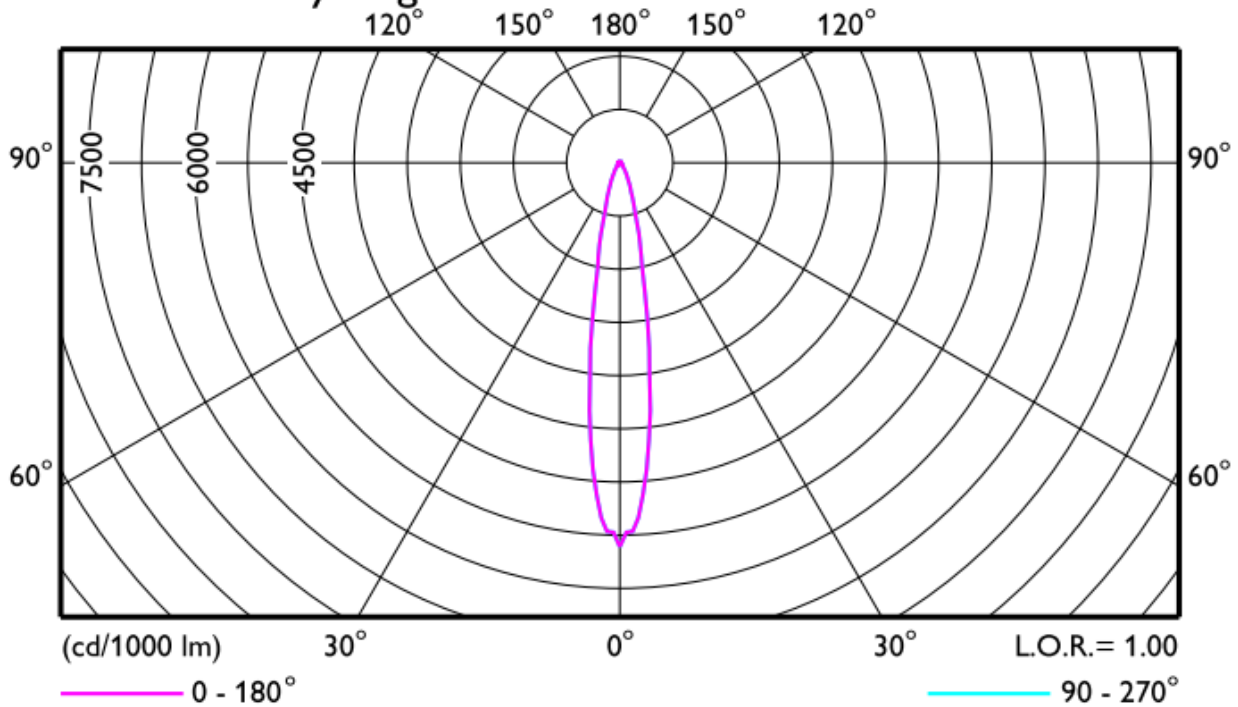
BBP210 G2 - 36x36° Beam Angle



Polar Candela Distribution Curves:

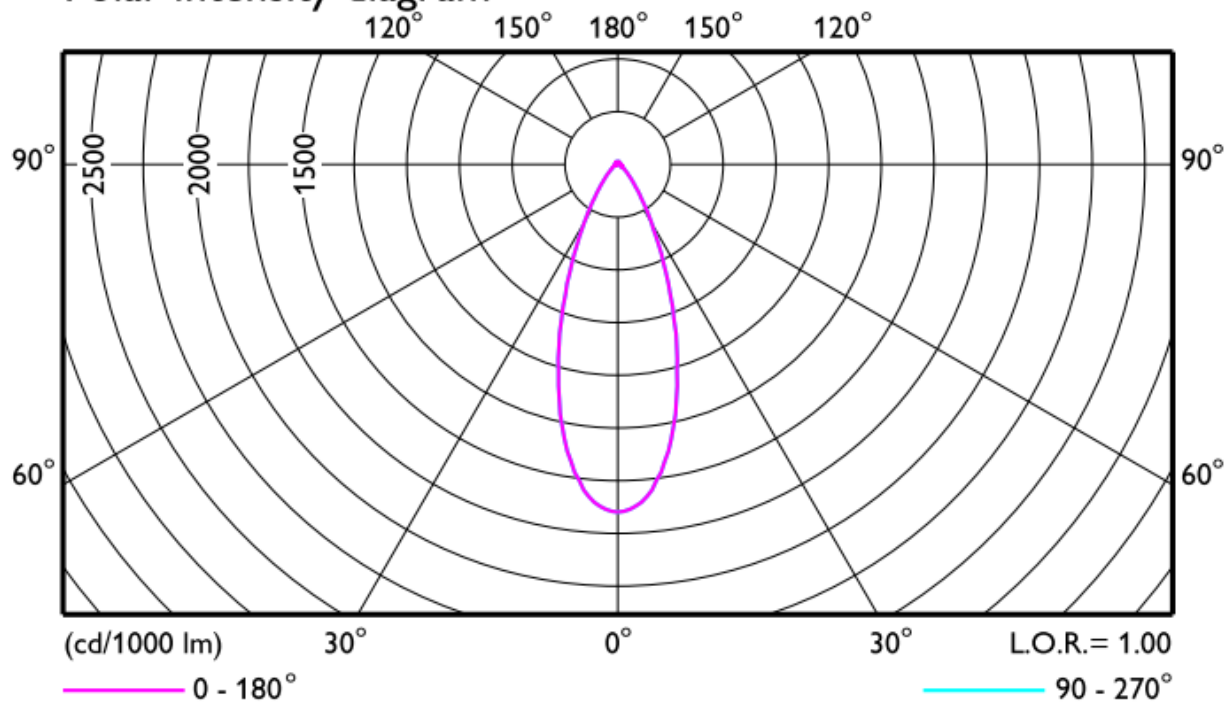
BBP211 G2 - 15x15° Beam Angle

Polar intensity diagram



BBP211 G2 - 36x36° Beam Angle

Polar intensity diagram



Order Information:

Philips I2NC	Description	Power (W)
911401733224	BBP210 G2 1W 12V 3000K 15D	1W
911401733234	BBP210 G2 1W 12V 3000K 36D	1W
911401733244	BBP210 G2 1W 12V 4000K 15D	1W
911401733254	BBP210 G2 1W 12V 4000K 36D	1W
911401733264	BBP211 G2 2W 12V 3000K 15D	2W
911401733274	BBP211 G2 2W 12V 3000K 36D	2W
911401733284	BBP211 G2 2W 12V 4000K 15D	2W
911401733294	BBP211 G2 2W 12V 4000K 36D	2W

MoQ = 48pcs



© 2025 Signify Holding. All rights reserved. The information provided herein is subject to change, without notice. Signify does not give any representation or warranty as to the accuracy or completeness of the information included herein and shall not be liable for any action in reliance thereon. The information presented in this document is not intended as any commercial offer and does not form part of any quotation or contract, unless otherwise agreed by Signify.

Philips and the Philips Shield Emblem are registered trademarks of Koninklijke Philips N.V.

All other trademarks are owned by Signify Holding or their respective owners

www.lighting.philips.com