

UNI In-Ground G2

Uni In-ground family provide a completed range of up-lights in terms of wattage, beam angle, color temperature, etc. It is to make your space distinctive with more safety and convenience as well. Compact and robust design with aluminum housing and frame, all for ensuring long-lasting operation after installation.



Key Features

- Standard: 3000K and 4000K
- Optional: 2700K
- On-off (110-240V AC version)
- Robust Design & IP67 rating for outdoor use
- 50K hrs lifetime

Ordering guide

BBP212 G2 3W 110-240V 3000K

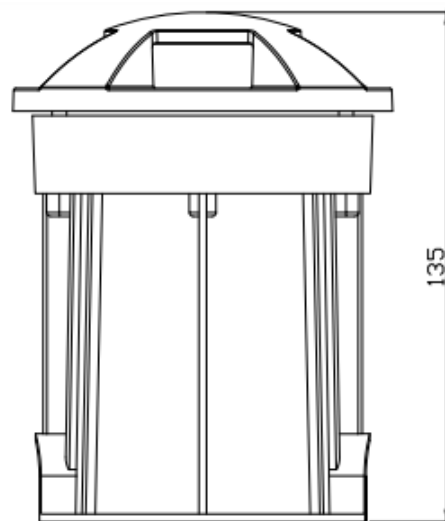
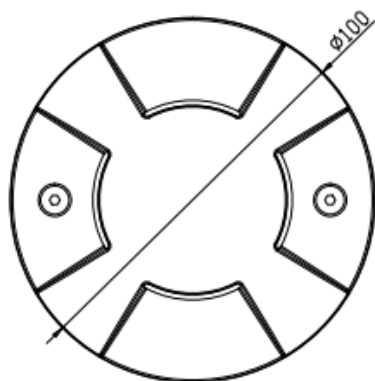
BBP212 G2	3W	110-240V	3000K
Family BBP212 G2 & BBP213 G2- Uni-In Ground	Wattage 3W/6W	Voltage 110-240V – 110-240V AC	CCT / Color 27K – 2700K 30K – 3000K 40K – 4000K

Product Data

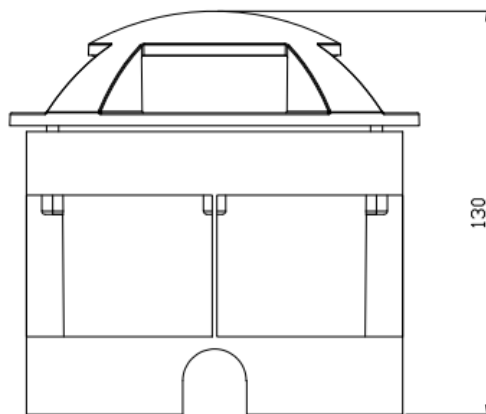
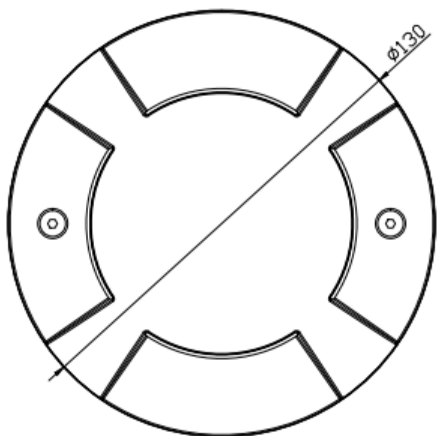
Product Family	BBP212 G2	BBP213 G2
Dimensions (W x H x D)	Ø100 x 135 mm (with Embedded device)	Ø130 x 130 mm (with Embedded device)
Source	High power LED	
Lumen Maintenance	50,000 hrs L70B50 at 35°C	
Housing & housing color	Aluminum housing & frame in Black color	
Gasket	Silicon	
Cover	Clear tempered glass	
Max Weight	0.58 kg	0.88 kg
Control Interfaces	On/Off	
Input Voltage	110-240 VAC, 50/60Hz	
Inrush Current	Max 0.048A (cold start 230Vac/50Hz measured at 50% Ipeak)	Max 0.053A (cold start 230Vac/50Hz measured at 50% Ipeak)
Maximum Number of Luminaires on 16A MCB (Type B)	1000 units	580 units
Total Harmonic Distortion	< 20% (230Vac/50Hz, full load)	
IEC Classification	Class I	
Power Cable	3 pole round cable L=30cm, 3x1.0mm ² with single flying wires	
Cables Connectors	IP68 male/female connectors	
Max Number of LEDs	1LED	
Max Power Consumption	3W	6W
Standard WH CCT	3000K, 4000K	
Standard CRI	80	
White SDCM	≤5	
Temperature Range	-40°C to 50°C (Operating) -35°C to 50°C (Startup) -40°C to 70°C (Storage)	
Protection Rating	IP67, IK10	
Certifications	CE, CB, CQC	
Warranty	3 Years	
ETO options	White CCT& colors: 2700K	

Luminaire Dimensions:

BBP212 G2 **(with embedded device)**

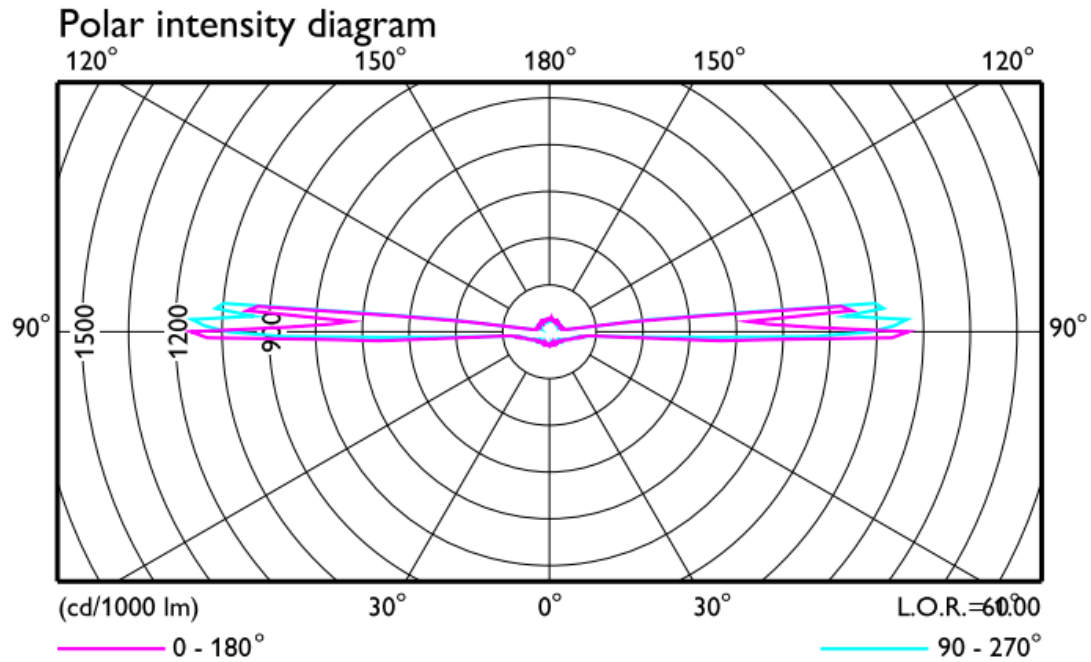


BBP213 G2 **(with embedded device)**

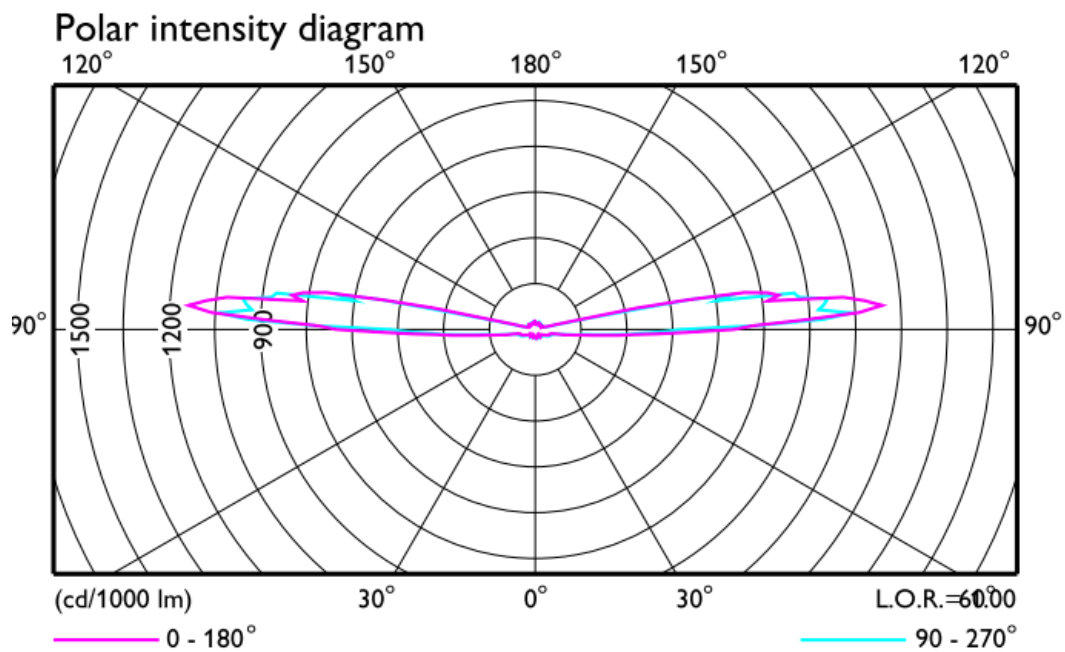


Polar Candela Distribution Curves:

BBP212 G2 – 3W – 30K



BBP213 G2 – 6W – 30K



Order Information:

Philips I2NC	Description	Power (W)
911401733344	BBP212 G2 3W 110-240V 3000K	3W
911401733354	BBP212 G2 3W 110-240V 4000K	3W
911401733364	BBP213 G2 6W 110-240V 3000K	6W
911401733374	BBP213 G2 6W 110-240V 4000K	6W

MoQ = 48pcs



© 2025 Signify Holding. All rights reserved. The information provided herein is subject to change, without notice. Signify does not give any representation or warranty as to the accuracy or completeness of the information included herein and shall not be liable for any action in reliance thereon. The information presented in this document is not intended as any commercial offer and does not form part of any quotation or contract, unless otherwise agreed by Signify.

Philips and the Philips Shield Emblem are registered trademarks of Koninklijke Philips N.V.

All other trademarks are owned by Signify Holding or their respective owners

www.lighting.philips.com